

Quick Disconnect™ Model 980 Instructions

The Quick Disconnect™ can be attached through the three countersunk attachment holes using 8-32 Chicago Screws, #10 copper rivets, or 10-32 machine screws.

IMPORTANT: When fabricating an orthosis with the 980, be certain to attach the keyhole plate that retains the slider plates to the portion of the orthosis that will be worn less often.

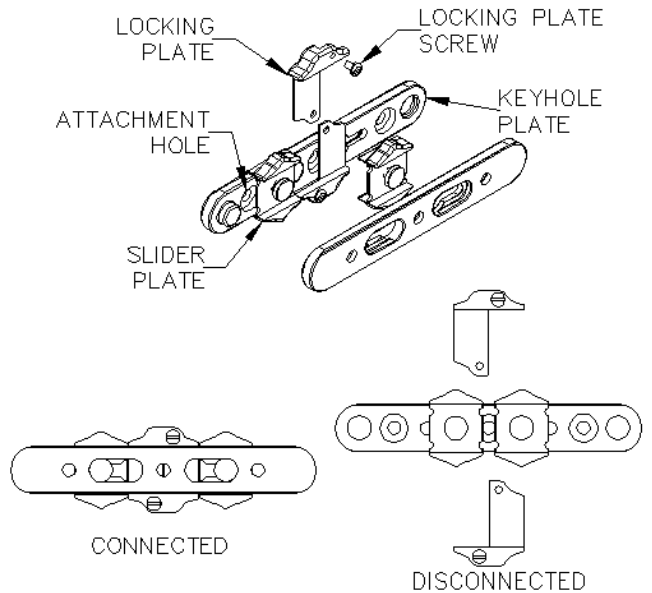
To Disconnect

1. Loosen the Locking Plate Screws approximately 4 full turns.
Note: It is not necessary to remove the screws from the Locking Plates.
2. Slide the Locking Plates out of the Quick Disconnect™.
3. Slide both Slider Plates toward the center.
4. Separate the two sides of the Quick Disconnect™. The Slider Plates will remain attached to one of the Keyhole Plates.

To Connect

1. Slide both Slider Plates to the center of the Keyhole Plate.
2. Aligning the mating buttons and holes, place the Keyhole Plates together.
3. Slide both Slider Plates toward the ends of the Keyhole Plates.
4. Check that the Locking Plate Screws are backed out at least 4 full turns. Insert the Locking Plates through the center of the Quick Disconnect™ with the screw heads facing up.

5. Tighten the Locking Plate Screws.



©2020 Becker Orthopedic Appliance Co.,
All rights reserved.
Revision 04/30/20



635 Executive Dr | Troy, MI 48083
P: 800-521-2192 | 248-588-7480
BeckerOrthopedic.com | f t in

EC REP

Acorn Regulatory Consultancy
Services Limited
Knockmorris Cahir Co. Tipperary
Ireland, Postcode: E21 R766
P 012 4626 8456
F 012 4626 8648



Quick Disconnect™ Model 980 Instructions

The Quick Disconnect™ can be attached through the three countersunk attachment holes using 8-32 Chicago Screws, #10 copper rivets, or 10-32 machine screws.

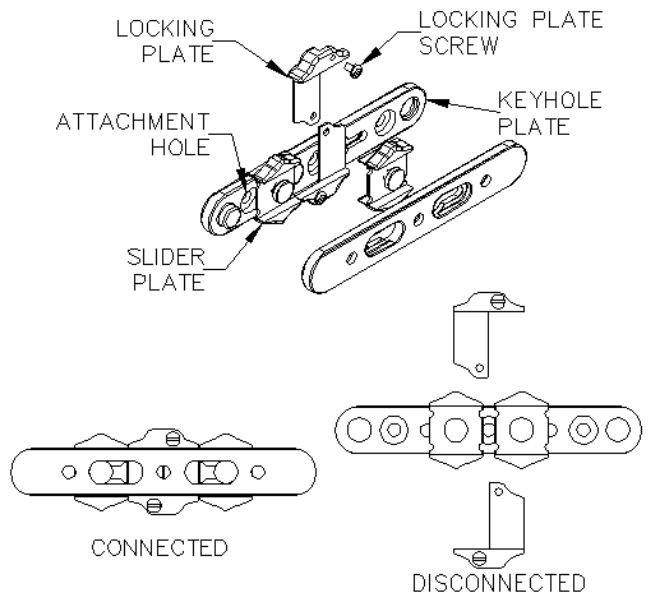
IMPORTANT: When fabricating an orthosis with the 980, be certain to attach the keyhole plate that retains the slider plates to the portion of the orthosis that will be worn less often.

To Disconnect

1. Loosen the Locking Plate Screws approximately 4 full turns.
Note: It is not necessary to remove the screws from the Locking Plates.
2. Slide the Locking Plates out of the Quick Disconnect™.
3. Slide both Slider Plates toward the center.
4. Separate the two sides of the Quick Disconnect™. The Slider Plates will remain attached to one of the Keyhole Plates.

To Connect

1. Slide both Slider Plates to the center of the Keyhole Plate.
2. Aligning the mating buttons and holes, place the Keyhole Plates together.
3. Slide both Slider Plates toward the ends of the Keyhole Plates.
4. Check that the Locking Plate Screws are backed out at least 4 full turns. Insert the Locking Plates through the center of the Quick Disconnect™ with the screw heads facing up.
5. Tighten the Locking Plate Screws.



©2020 Becker Orthopedic Appliance Co.,
All rights reserved.
Revision 04/30/20



635 Executive Dr | Troy, MI 48083
P: 800-521-2192 | 248-588-7480
BeckerOrthopedic.com | f t in

EC REP

Acorn Regulatory Consultancy
Services Limited
Knockmorris Cahir Co. Tipperary
Ireland, Postcode: E21 R766
P 012 4626 8456
F 012 4626 8648

