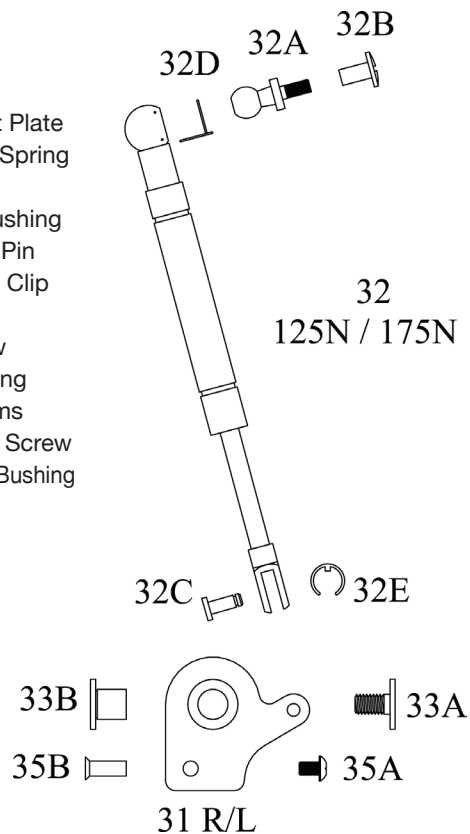


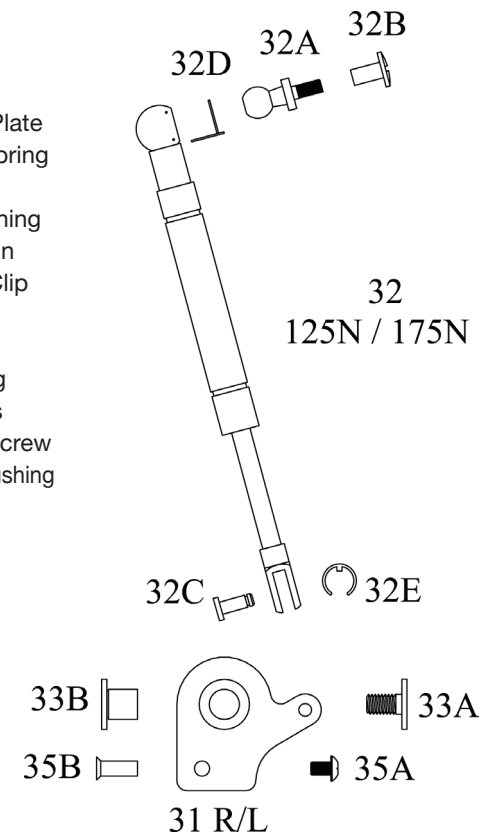
**9005/6-GX  
GX-ASSIST COMPONENTS**

- 31. Attachment Plate
- 32. Pneumatic Spring
- 32A. Ball Stud
- 32B. Chicago Bushing
- 32C. Rod Clevis Pin
- 32D. Ball Socket Clip
- 32E. E-Clip
- 33A. Pivot Screw
- 33B. Pivot Bushing
- 33C. Plastic Shims
- 35A. Lever Pivot Screw
- 35B. Lever Pivot Bushing



**9005/6-GX  
GX-ASSIST COMPONENTS**

- 31. Attachment Plate
- 32. Pneumatic Spring
- 32A. Ball Stud
- 32B. Chicago Bushing
- 32C. Rod Clevis Pin
- 32D. Ball Socket Clip
- 32E. E-Clip
- 33A. Pivot Screw
- 33B. Pivot Bushing
- 33C. Plastic Shims
- 35A. Lever Pivot Screw
- 35B. Lever Pivot Bushing



635 Executive Dr. | Troy, MI 48083  
**P 800-521-2192 | 248-588-7480**  
 BeckerOrthopedic.com | f t in

EC REP

Acorn Regulatory Consultancy  
 Services Limited  
 Knockmorris Cahir Co. Tipperary Ireland,  
 Postcode: E21 R766  
 P 012 4626 8456  
 F 012 4626 8648



635 Executive Dr. | Troy, MI 48083  
**P 800-521-2192 | 248-588-7480**  
 BeckerOrthopedic.com | f t in

EC REP

Acorn Regulatory Consultancy  
 Services Limited  
 Knockmorris Cahir Co. Tipperary Ireland,  
 Postcode: E21 R766  
 P 012 4626 8456  
 F 012 4626 8648



# 9005/6-GX GX-ASSIST INSTRUCTIONS

1 Fabricate brace per SafetyStride/  
FullStride Fabrication Instructions.

2 Connect pneumatic spring to the  
attachment plate by inserting the  
pin and e-clip. (Figure 1).

3 If more rotation of the spring is  
needed, the attachment plate arm  
may be angled slightly (Figure 2).

4 Drill a 13/64" hole proximal to  
joint center, 5.75" from spring  
attachment center (bars must be  
contoured before location of hole  
is measured) (Figure 3).

**CAUTION: Proximal spring  
attachment must be in-line with  
joint center. Improper mounting  
may damage pneumatic spring.  
Verify spring does not limit knee  
joint ROM prior to use.**

5 Release clip and remove ball stud  
from the socket (Figure 4).

6 Attach the ball stud and chicago  
bushing to the orthosis.  
(Figure 5).

7 Insert the ball stud back into the  
ball socket and secure the ball  
socket clip.



Figure 1



Figure 2

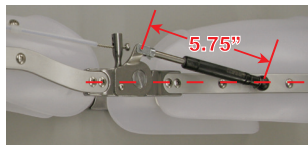


Figure 3



Figure 4



Figure 5



**CAUTION: Do not puncture.  
Pneumatic spring under pressure.**

# 9005/6-GX GX-ASSIST INSTRUCTIONS

1 Fabricate brace per SafetyStride/  
FullStride Fabrication Instructions.

2 Connect pneumatic spring to the  
attachment plate by inserting the  
pin and e-clip. (Figure 1).

3 If more rotation of the spring is  
needed, the attachment plate arm  
may be angled slightly (Figure 2).

4 Drill a 13/64" hole proximal to  
joint center, 5.75" from spring  
attachment center (bars must be  
contoured before location of hole  
is measured) (Figure 3).

**CAUTION: Proximal spring  
attachment must be in-line with  
joint center. Improper mounting  
may damage pneumatic spring.  
Verify spring does not limit knee  
joint ROM prior to use.**

5 Release clip and remove ball stud  
from the socket (Figure 4).

6 Attach the ball stud and chicago  
bushing to the orthosis.  
(Figure 5).

7 Insert the ball stud back into the  
ball socket and secure the ball  
socket clip.



Figure 1



Figure 2

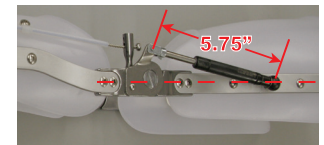


Figure 3



Figure 4



Figure 5



**CAUTION: Do not puncture.  
Pneumatic spring under pressure.**