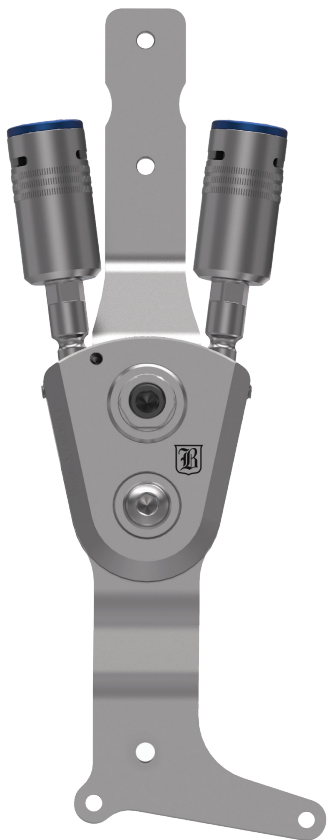


# TRIPLE ACTION<sup>®</sup>

## Small Adult Ankle Joint

(16mm Systems)

### Product Data Sheet



#### Features

- Independent adjustment of:
  - Ankle alignment
  - Plantarflexion/dorsiflexion range of motion
  - Plantarflexion/dorsiflexion spring stiffness
- Independent ankle alignment range of  $\pm 10^\circ$
- (4) high stiffness spring options included with booster spring models (Figure 1)
- Compatible with unilateral or bilateral orthotic designs

#### Indications

- Lower limb functional deficits as a result of:
  - Stroke
  - Cerebral palsy
  - Multiple sclerosis
  - Spina bifida
  - Spinal cord injury
  - Charcot-Marie-Tooth
  - Other neuromotor deficits

#### Contraindications

- Patient weight greater than 100 kg (220 lb)

### Model 3B76 Component Selection

WEIGHT LIMITS (KG/LBS)	Unilateral	90 kg / 200 lb**																
	Bilateral	100 kg / 220 lb**																
BOOSTER CONFIGURATION																		
	No Booster	Plantarflexion Resist Booster		Dorsiflexion Resist Booster				Plantarflexion & Dorsiflexion Resist Boosters										
	GAIT PHASE WHERE ABNORMALITIES OCCUR	Early Stance Phase	NORMAL				ABNORMAL				NORMAL				ABNORMAL			
		Late Stance Phase	NORMAL				ABNORMAL				NORMAL				ABNORMAL			
Leg	Either	Right	Left	Left	Right	Right	Left	Left	Right	Right	Left	Left	Right	Either				
Side		Lateral	Medial	Lateral	Medial	Lateral	Medial	Lateral	Medial	Lateral	Medial	Lateral	Medial					
Order No.	<b>3B76-A0*</b>	<b>3B76-A1*</b>		<b>3B76-A2*</b>		<b>3B76-A2*</b>		<b>3B76-A1*</b>		<b>3B76-A3</b>								

\*Only available direct from Becker Orthopedic in some countries

\*\*Weight limit for 3B76 with 3B76-YHD-1 stirrup is 100kg/220lbs (unilateral) and 110 kg 240 lb (bilateral).

### Fabrication Options

#### Thermoplastic

**Unilateral\*** 5mm (3/16") Polypropylene

**Bilateral** 5mm (3/16") Polypropylene

#### Composite

**Unilateral** Wet Lamination like **Becker BCO Shadow™, Max™** or PrePreg

**Bilateral** Wet Lamination like **Becker BCO Lite™, Shadow™, Max™** or PrePreg

\*Important: Thermoplastic unilateral AFOs require Camber Axis Triple Action® Companion Joint, or other free motion ankle joint



**Product Data Sheet**

**Stirrup Options**



**Lateral Stirrup**  
 Models 3B76-LATR-1 &  
 3B76-LATL-1



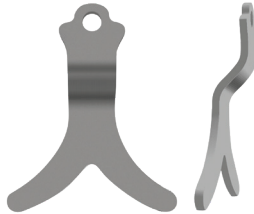
**Medial Stirrup**  
 Models 3B76-MEDR-1 &  
 3B76-MEDL-1



**Y-Stirrup**  
 Model 3B76-Y-1



**Universal Rivet Stirrup**  
 Model 3B76-R-1



**Heavy Duty Y-Stirrup**  
 Model 3B76-YHD-1

**Accessories**

**Fabrication Tool Kit**  
 Model 3B00-FTK

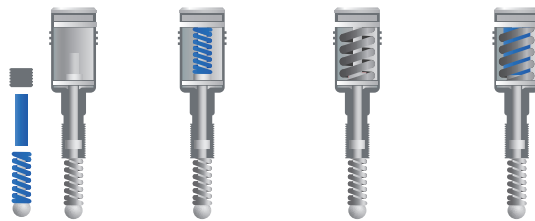
The fabrication tool kit includes fabrication dummies, alignment axis, attachment hardware and wrenches.



**Camber Axis Triple Action® Companion Joint**  
 Model 751-ATA



**Spring Configurations**



SPRING CONFIGURATION	1	2	3	4
<b>Booster Required</b>	No	Yes	Yes	Yes
<b>Bottom Spring</b>	Standard	Standard	Standard	Standard
<b>Top Spring</b>	None	Standard	High	High & Standard
<b>Stiffness</b>	X1 (low)	X2 (moderate)	X4 (high)	X5 (very high)
<b>Max. ROM</b>	10°	10°	10°	10°



\*The Booster Spring Unit cannot be removed from the Triple Action component housing. Doing so will destroy the Booster and void the product warranty.

\*Internal bottom spring under booster is covered with a lifetime warranty for defects in materials and workmanship.

\*Figure 1

